



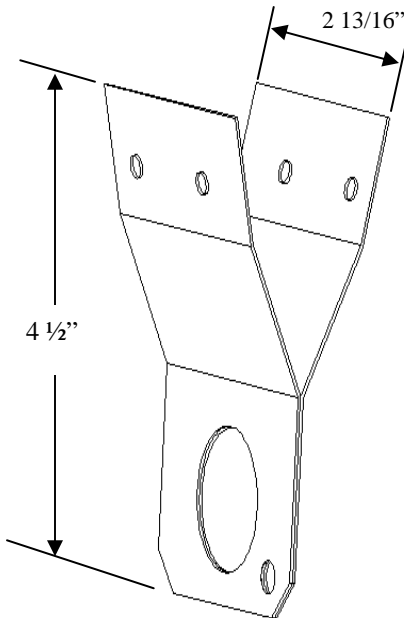
Deck Hanger-Installation Notes

Catalog Number: DH

A product of Denier Manufacturing. 11425 Century Circle West Cincinnati, Ohio 45246
1-800-286-9601 @ www.roughinready.com

1. Mount Deck Hanger to roof decking with sheet metal screws.
2. The Deck Hanger can be used to mount luminaires that need to be suspended from the roof decking.

Allowable Hanger Loads			
Fastener	Quantity Of Screws	Deck metal thickness	
		22 gauge	20gauge
#8 or Larger Sheet Metal Screws	4	100 lbs.	100 lbs.



Deck Mounting

